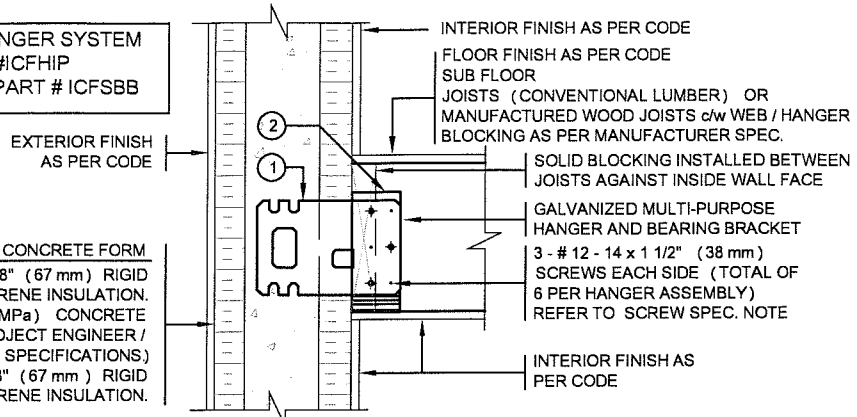


GALVANIZED MULTI-PURPOSE HANGER SYSTEM
 2 - HANGER INSERT PLATE PART #ICFHIP
 1 - STAMPED BEARING BRACKET PART #ICFSBB

TYPICAL INSULATED CONCRETE FORM
 EXTERIOR LAYER OF 2 5/8" (67 mm) RIGID EXPANDED POLYSTYRENE INSULATION.
 MIN. 6" (150 mm) - 3,000 psi (20 MPa) CONCRETE CORE (REINFORCED AS PER PROJECT ENGINEER / MANUFACTURERS SPECIFICATIONS)
 INTERIOR LAYER OF 2 5/8" (67 mm) RIGID EXPANDED POLYSTYRENE INSULATION.



SCREW SPECIFICATIONS:

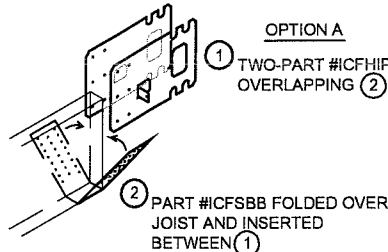
ALL SCREWS TO BE #12 - 14 x 1 1/2" (38 mm) HEX HEAD SELF DRILLING SCREWS MANUFACTURED BY UCAN FASTENING PRODUCTS (PART # THW12112B) OR EQUAL.

HANGER MATERIAL:

STEEL GRADE:
 MINIMUM ASTM A446 STEEL, GRADE A 20 ga. (16 ga. FOR RETROFIT OPTION) WITH MINIMUM YIELD STRENGTH OF 33,400 psi (230 MPa)

MANUFACTURER TOLERANCES:

MUST CONFORM TO PARTS, ITEMS AND INSTALLATION AS TESTED BY INTERTEK TESTING SERVICES NA LTD. REPORT No. 3058346 PREPARED FOR ICF CONNECT LTD.

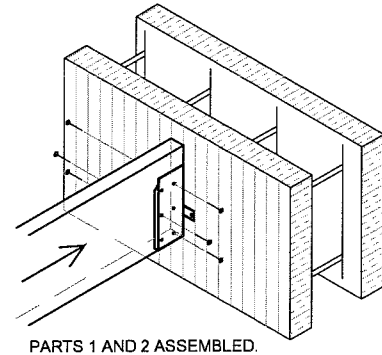


OPTION A
 TWO-PART #ICFHIP OVERLAPPING

RETROFIT OPTION FOR PART #ICFHIP

TWO PART ICF-EBB OVERLAPPING

FASTENED DIRECTLY TO CONCRETE SURFACE WITH TWO 3/8" DIAMETER WEDGE ANCHORS RAMSET TRUBOLT OR EQUAL (FOR EACH PART)



PARTS 1 AND 2 ASSEMBLED.

INTERNATIONAL RESIDENTIAL CODE 2006 (USA) 2005 NATIONAL BUILDING CODE OF CANADA (CAN)	MAX. JOIST CLEAR SPAN			
	12" O.C. (300 mm)	16" O.C. (400 mm)	19.2" O.C. (485 mm)	24" O.C. (600 mm)
STANDARD FLOOR JOIST INSTALLATION	57'-0" (17,373 mm)	42'-6" (12,954 mm)	35'-6" (10,820 mm)	28'-6" (8,686 mm)
FLOOR JOIST SYSTEM WITH 1 1/2" (38 mm) CONCRETE TOPPING	43'-6" (13,258 mm)	32'-6" (9,906 mm)	27'-0" (8,229 mm)	21'-6" (6,553 mm)

DESIGN LOADS:

LIVE LOADS: 40 psf (1.9 kPa)
 DEAD LOAD (STANDARD): 15 psf (0.72 kPa)
 DEAD LOAD WITH 1 1/2" (38 mm) CONCRETE TOPPING: 15 psf + 19 psf = 34.0 psf (1.63 kPa)

MAX. HANGER VERTICAL BEARING END REACTION:
 USA MAX. SHEAR CAPACITY (A.S.D.): 1,740 lb
 CANADA MAX. SHEAR CAPACITY (L.S.D.): 2,235 lb

PROJECT DESIGNER IS RESPONSIBLE FOR OVERALL STABILITY OF THE SYSTEM AND ADJOINING ELEMENTS INCLUDING RESOLVING ANY LOADS ACTING WITHIN THE DIAPHRAGM OF THE FLOOR SYSTEM. CONNECTED BLOCKING BETWEEN THE JOISTS MAY BE ADDED TO SATISFY ADDITIONAL DESIGNER REQUIREMENTS. PARALLEL END WALL JOISTS SHOULD BE CONNECTED BY CONVENTIONAL ANCHOR BOLT & LEDGER ASSEMBLY - TO BE SPECIFIED BY PROJECT DESIGNER. DESIGNER TO VERIFY 3" BEARING SURFACE IS SUFFICIENT FOR EACH JOIST OR TRUSS MEMBER AS PROVIDED BY THE BEARING BRACKET PART #ICFSBB.

SHEAR VALUES USED FOR THE ABOVE LOAD TABLE DESIGN IS BASED ON TESTED SCREW VALUES WITHIN THE ASSEMBLY AND HANGER INSERT PLATE (#ICFHIP) THEORETICAL VALUES. ALL SCREWS IN THIS ASSEMBLY MUST BE FASTENED THROUGH THE TWO OVERLAPPING METAL COMPONENTS / PARTS AND BACKED BY SOLID WOOD PROVIDED BY THE JOIST OR TRUSS BEING CONNECTED.

HANGER ASSEMBLY NOT INTENDED FOR USE WITH PRESSURE TREATED LUMBER OR EXTERIOR APPLICATIONS WHERE EXPOSED TO THE WEATHER OR CORROSIVE ENVIRONMENTS.



STRUCTURAL DESIGN BY:
AVANTI
 ENGINEERING & DESIGN INC.
 Box 240, Oro, Ontario, L0L 2X0
 Tel. 705-735-2900 Fax 705-735-4400

No.	Revision/Issue	Date
2.	UPDATED FOR CURRENT CODES & END REACTION	MAY 6, 2008
1.	ISSUED - ADD'L SCREW ASSEMBLY TESTS, LOT #1	JAN. 18, 2007

Client ICF CONNECT LTD. WOODBRIDGE, ONT., CANADA	Drawing Name RESIDENTIAL FLOOR JOIST SPAN TABLE
Project Name and Address ICF MULTI-PURPOSE HANGER SYSTEM	Job No: 07-01-277 Date: MAY 2008 Scale: 1/2" = 1'-0"
Sheet S1	