

NUDURA FORM UNIT

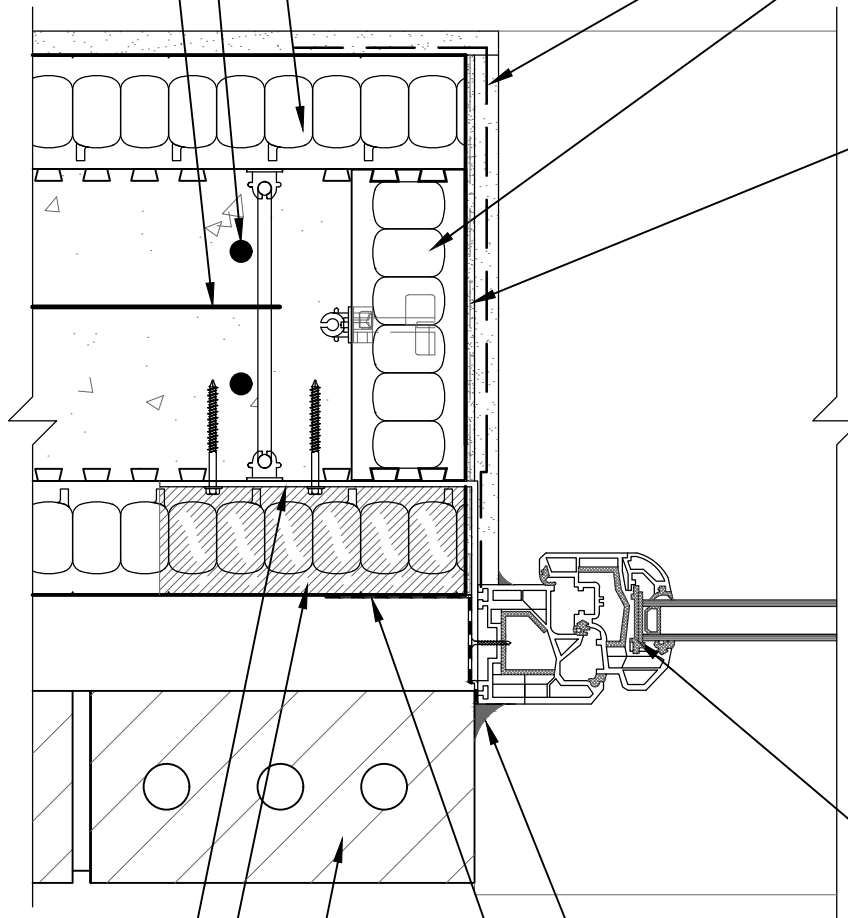
OPENING REINFORCEMENT AS SPECIFIED BY LOCAL PRESCRIPTIVE OR ENGINEERING DESIGN

HORIZ/VERT REINFORCEMENT AS PER CODE OR AS SPECIFIED

PLASTER BOARD

NUDURA END CAP

RENDER BASE COAT AND MESH AS SPECIFIED



WINDOW FRAME

METAL BRACKET INSTALLED POST CONCRETE PLACEMENT TO PROVIDE WINDOW SUPPORT

CONTINUOUS CAULKING AROUND WINDOW FRAME TO MASONRY c/w DRAIN SLOT AT CENTER OF SILL

EPS FOAM REMOVED AT WINDOW MOUNTING BRACKET- REPLACE FOAM AFTER BRACKET INSTALLATION

JAMB FLASHING SEALED TO EPS FOAM AND WINDOW FRAME AS PER CODE OR AS SPECIFIED

BRICK VENEER c/w 50mm AIR SPACE AND BRICK TIES

**DISCLAIMER NOTICE:**  
 SPECIFIC INFORMATION  
 REQUIRED FOR COMPLIANCE  
 WITH LOCAL CODES IS THE  
 RESPONSIBILITY OF THE  
 DESIGNER



**NUDURA**

**INTEGRATED BUILDING TECHNOLOGY**

*Building Value.*

STANDARD 152mm FORM UNIT  
 WINDOW DETAILS  
 WINDOW JAMB  
 BRICK VENEER FINISH

REV. NO.  
001 KS

DATE:  
JULY 2019

DRAWN BY:  
K. STILL

DWG NO.

EU-46

SCALE:  
1 : 4